

ECOWATER
S Y S T E M S[®]



Your Water. Perfected.

Let us

Perfect

your water and

Protect

your plumbing.

EcoProTechT

ECOWATER ANTI-SCALE SYSTEMS

Environmental Choice for Water Treatment

PTT[™] Anti-Scale Media

Reduces hard water scale from forming in plumbing and appliances.

Up-flow Design

Increases contact time with media for improved scale reduction and higher flow rates.

By-pass Valve

Allows for easy maintenance and servicing.

Coconut-Shell Carbon*

Filters the water throughout the home without compromising water flow. Removes chlorine taste and odor and eliminates the need for separate carbon filter changes.

Multi-Wrap Fiberglass Reinforced Tank with Limited Lifetime Warranty

Durable; doesn't deteriorate, rust, or corrode.

Distributors

Distributors exhibit excellent flow rates.

No Electricity

Simplifies installation, maintenance and reduces electrical hazards.

No Salt or Added Chemicals Needed

Uses environmentally friendly "green" technology for areas with water or brine-discharge restrictions.

Zero Waste Water

No backwashing required and zero discharge.

Standard Plumbing Connection

1" NPT Male connection for easy installation. Larger 1-1/4" and 1-1/2" plumbing adapters available.

*Available on ETF2302SM10C only



Back of System



EcoProTechT[™] Plus
ETF2302SM10C
(Two-Tank System)

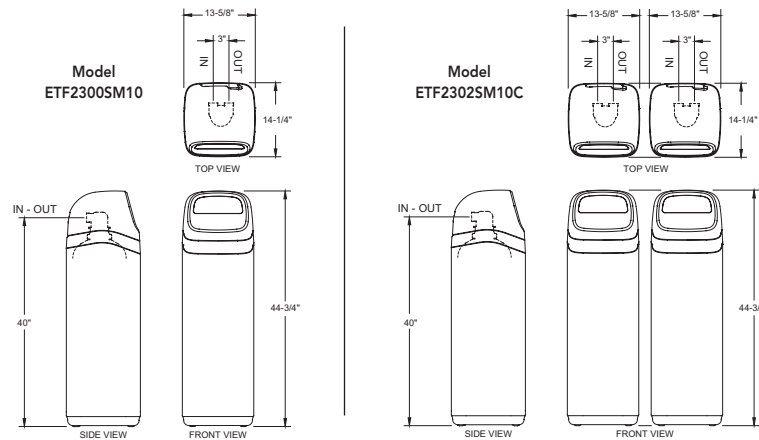


EcoProTechT[™]
ETF2300SM10
(Single Tank System)

 Designed, Engineered &
Assembled in the U.S.A.

ecowater.com

DIMENSIONS



SPECIFICATIONS

	ETF2300SM10	ETF2302SM10C
Nominal Mineral Tank Size	10" dia. x 35" tall (1)	10" dia. x 35" tall (2)
Service Flow Rate	10 gpm	10 gpm
Intermittent Flow Rate @ 15 psi Pressure Drop**	20 gpm	20 gpm
PTT™ Anti-Scale Media*	24 lbs.	24 lbs.
Coconut Shell Carbon	—	14 lbs.
HDPE	3 lbs.	6 lbs. (3 lbs./tank)
Maximum Working Pressure (psi)	125	125
Water Temperature Limits (°F/°C)	40-120 / 4-49	40-120 / 4-49

* PTT Media can be added to a system two times before system should be replaced or system re-bedded.

** Intermittent flow rate does not represent the maximum service flow rate. Continuous operation at flow rates greater than the service flow rate may affect performance.

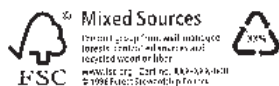
WATER CHEMISTRY

	ETF2300SM10	ETF2302SM10C
pH	6.0 to 9.0	6.0 to 9.0
Hardness (maximum)	25 grains	25 grains
Chlorine	<3 ppm	<3 ppm
Iron (maximum)	0.3 mg/L	0.3 mg/L
Copper	none allowed	none allowed
Oil & H ₂ S	none allowed	none allowed
Polyphosphate	none allowed	none allowed
Silica (maximum)	10 ppm	10 ppm



Your Water. Perfected.

MS2



Tested and certified by the Water Quality Association under NSF/ANSI 372 standard for low lead content. Not certified for contaminant reductions by the Water Quality Association.

