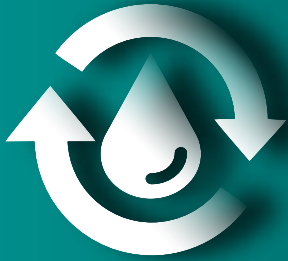




Welcome to the future of water, where instant refreshment meets sustainable living. Unveiling EcoWater's latest innovation, the **eflow™ Tankless Reverse Osmosis System** – seamless efficiency and uncompromising taste.



### **CONTINUOUS** WATER FLOW

*Continuous Flow, Instant Satisfaction. No more waiting for an RO tank to fill up. Whether for cooking, making a quick cup of tea, or hydrating after a workout, eflow ensures you never have to wait.*



### **SPACE-SAVING** DESIGN

*Tight-fitting areas under your sink? No problem! eflow's space-saving design fits into any kitchen setup. Enjoy the benefits of a tankless RO system without sacrificing valuable storage space.*



### **EASY CHANGING** FILTERS

*Maintaining your eflow system is a breeze. Our easy-to-change filters ensure you always get the best quality water. With just a few simple steps, you'll have peace of mind knowing your system is operating at its best.*

Improve your water with **eflow™** continuous flow, space-saving design, and easy maintenance!

**ECOWATER®**  
S Y S T E M S



**Your Drinking Water.  
Perfected.**





Experience better water for your home at the tap!



### REDUCE CONTAMINANTS IN YOUR WATER

Experience water like never before with eflow's superior filtration. Say farewell to impurities, contaminants, and unpleasant tastes affecting regular tap water. With eflow, you can trust you are getting the highest quality water.



### GOOD FOR YOU, GREAT FOR THE PLANET

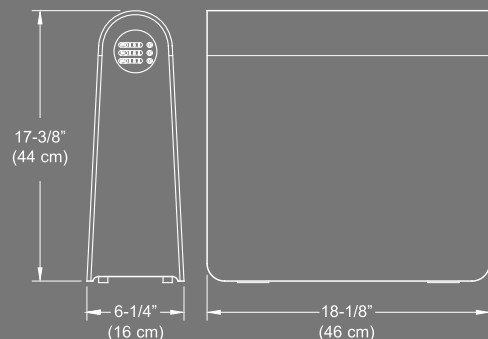
You're improving your health and playing a crucial role in environmental conservation. By reducing bottled water consumption, you'll save money and significantly reduce plastic waste.



### ECOWATER, NOW WITH THE BEST TECHNOLOGY FOR HOME DRINKING WATER

#### SPECIFICATIONS

Feed water pressure limits	40 - 100 psi (276 - 689 kPa)
Feed water temperature limits, minimum / maximum	40 - 100 °F (4 - 38 °C)
Service Flow Rate	0.42 gal./min. (1.6 L/min.)
Service Life	2,000 gal. (7,570 L)
Maximum total dissolved solids (TDS)	2,000 ppm
Maximum water hardness @ 6.9 pH	10 gpg (171 ppm)
Maximum iron, manganese, hydrogen sulfide	0
Chlorine in water supply	allowable ♦
Feed water pH limits	pH 4 - 10
Percent Rejection of TDS, minimum (new membrane) ■ ●	95.75 %
Daily water production rate ■ ●	600 gal./day (2,271 L/day)
Percent Recovery ■ □	62 %
Automatic shutoff control	yes



♦ Chlorine reduction (max. of 2.0 ppm) by the RO Prefilter. REGULAR MAINTENANCE REQUIRED. Chlorine will destroy the RO membrane.

■ Based on manufacturer's laboratory testing.

● Feed water supply at 50 psi (345 kPa), 77 °F (25 °C), and 750 TDS - Quality water production and percent rejection with changes in pressure, temperature and total dissolved solids.

□ Recovery rating means the percentage of the influent water to the membrane portion of the system that is available to the user as reverse osmosis treated water.

Contact your local EcoWater Pros.

Ecowater.com